

## AKOControl

The most suitable and flexible range  
of temperature and humidity control



## AKOControl, technical table for Industrial and Commercial Refrigeration

	RELAY OUTPUTS				INPUTS				OPTIONS			FORMATS							
	Compressor Resistance	Defrost	Fan Resistance	Light/Aux/Alarm	Control Temperature	Environment Temperature	Defrost Temperature End	Digital input 1	Digital input 2	Power Supply	Buzzer	Real Time Clock	Communication RS485	Slim Panel	Standard Panel	Big Display Panel	large Panel	DIN Rail	Wall
AKO-D14012						NTC/PTC				12/24V					X				
AKO-D14023						NTC/PTC				230V					X				
AKO-D14023-C						NTC/PTC				90/240V			X		X				
AKO-13012						NTC				12V				X					
AKO-13020						NTC				120V				X					
AKO-13203						NTC				230V				X					
AKO-14602						NTC/PTC				230V									X
AKO-14605						NTC				230V									X
AKO-D14112	12A(9)				NTC/PTC	NTC/PTC		X		12/24V					X				
AKO-D14120	12A(9)				NTC/PTC			X		120V					X				
AKO-D14123	12A(9)				NTC/PTC			X		230V					X				
AKO-13112	12A(9)				NTC			X		12V				X					
AKO-13120	12A(9)				NTC			X		120V				X					
AKO-13123	12A(9)				NTC					230V				X					
AKO-10123	12A(9)			8(4)A	NTC			X		230V						X			
AKO-D10123	12A(9)				NTC/PTC			X		230V						X			
AKO-14610	12A(9)				NTC/PTC					230V									X
AKO-14612	12A(9)				NTC/PTC					120V									X
AKO-14615	12A(9)				NTC					230V									X
AKOTIM-21TE	12A(9)				NTC	NTC		X		230V								X	
AKOTIM-21ATE	12A(9)			5(4)A	NTC	NTC		X		230V								X	
AKOTIM-21ARTE	12A(9)			5(4)A	NTC	NTC		X		230V		X						X	
AKOTIM-21ARTEB	12A(9)			5(4)A	NTC	NTC		X		230V	X	X						X	
AKO-D14212	12A(9)			8(4)A	NTC	NTC		X		12V				X					
AKO-D14220	12A(9)			8(4)A	NTC	NTC		X		120V				X					
AKO-D14223	12A(9)			8(4)A	NTC	NTC		X		230V				X					
AKO-10223	12A(9)	8(4)A		8(4)A	NTC	NTC	NTC	X	X	230V						X			
AKO-D10223	12A(9)	8(4)A		8(4)A	NTC	NTC	NTC	X	X	230V						X			
AKOTIM-22TE	12A(9)	8(4)A			NTC	NTC	NTC	X		230V								X	
AKOTIM-22ATE	12A(9)	8(4)A		5(4)A	NTC	NTC	NTC	X		230V								X	
AKOTIM-22ARTE	12A(9)	8(4)A		5(4)A	NTC	NTC	NTC	X		230V		X						X	
AKOTIM-22ARTEB	12A(9)	8(4)A		5(4)A	NTC	NTC	NTC	X		230V	X	X						X	
AKO-D14312	12A(9)		5(4)A	8(4)A	NTC		NTC	X		12V				X					
AKO-D14320	12A(9)		5(4)A	8(4)A	NTC		NTC	X		120V				X					
AKO-D14323	12A(9)		5(4)A	8(4)A	NTC		NTC	X		230V				X					
AKO-D14323-C	12A(9)		5(4)A	8(4)A	NTC		NTC	X		90/240V			X	X					
AKO-D16323	12A(9)	12A(9)	5(4)A		NTC		NTC	X	X	90/240V				X					
AKO-10323	12A(9)	8(4)A	8(4)A	8(4)A	NTC		NTC	X	X	230V						X			
AKO-D10323	12A(9)		5(4)A	8(4)A	NTC		NTC	X		230V						X			
AKO-14632	12A(9)	10A	5(4)A		NTC		NTC	X		230V									X
AKO-D14412	5(4)A	5(4)A	5(4)A	5(4)A	NTC		NTC	X		12V				X					
AKO-D14412-RC	5(4)A	5(4)A	5(4)A	5(4)A	NTC		NTC	X		12V		X		X					
AKO-D14423	5(4)A	5(4)A	5(4)A	5(4)A	NTC		NTC	X	X	230V								X	
AKO-D14423-RC	5(4)A	5(4)A	5(4)A	5(4)A	NTC		NTC	X	X	90/240V		X		X					
AKO-14642	12(9)A	8(4)A	5(4)A	5(4)A	NTC	NTC	NTC	X		230V									X
AKOTIM-23TE	12(9)A	8(4)A	5(4)A		NTC	NTC	NTC	X		230V								X	
AKOTIM-23ATE	12(9)A	8(4)A	5(4)A	5(4)A	NTC	NTC	NTC	X		230V								X	
AKOTIM-23ARTE	12(9)A	8(4)A	5(4)A	5(4)A	NTC	NTC	NTC	X		230V		X						X	
AKOTIM-23ARTEB	12(9)A	8(4)A	5(4)A	5(4)A	NTC	NTC	NTC	X		230V	X	X						X	

## Application Scope

		
<b>Bottle Cooler</b>	<b>Food Showcase</b>	<b>Wine Installations</b>
		
<b>Crystallised</b>	<b>Food Tables</b>	<b>Food Cabinets</b>
		
<b>Blast Cabinet</b>	<b>Food Self Services</b>	<b>Dishes Showcase</b>
		
<b>Market Showcase</b>	<b>Wall Cabinet</b>	<b>Modular Cabinets</b>
		
<b>Modular Cool Rooms &lt;10m3</b>	<b>Modular Cool Rooms &gt;10m3</b>	<b>Food Chest Coolers</b>
		<p><b>Darwin</b> AKO-D14023/D14323 Pág.20</p> <p><b>Thermometer</b> AKO-13012 Pág.19</p> <p><b>CAMRegis</b> AKO-15762/16767 Pág.45</p>
<b>Central Hills Coolers</b>	<b>Thermolabile Coolers</b>	

# Thermostats and thermometers Range from -50 °C to +99 °C, panel mounting, small format

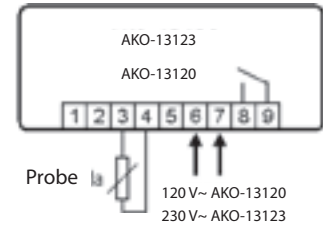
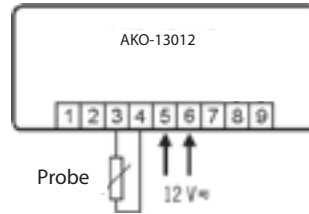
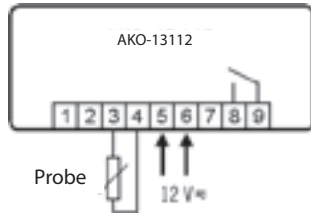
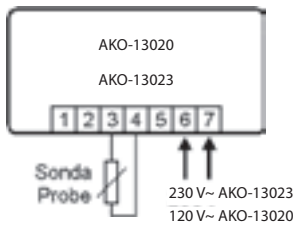


**Small dimensions 66 x 32 x 56 mm.**

The dimensions of the panel cut-out make them exchangeable with traditional mechanical thermometers, by also integrating the thermostat and defrost clock function in a single unit. Programmable for cold and heat. Defrost by compressor stop. Possible password for entering programming, indication in °C or °F programme selectable and probe calibration.

**Application:** Industrial and commercial cold, displays, cabinets, etc.

- Temperature range -50 °C to +99 °C
- 2 Display digits (°C/°F)
- Resolution 1 °C
- Precision ±1 °C
- NTC Probe
- Panel cut-out dimensions 25,4 x 58 mm
- Front dimensions 32 x 66 mm
- Depth 51 mm



Reference	Description	Family	Pack
AKO-13012	12 V~, °C / °F probe NTC 1,5 m included	1510	12 Unit
AKO-13020	120 V~, °C / °F probe NTC 1,5 m included	1510	12 Unit
AKO-13023	230 V~, °C / °F probe NTC 1,5 m included	1510	12 Unit
AKO-13112	12V~, SPST relay 16 A, probe NTC included	1510	12 Unit
AKO-13120	120V~, SPST relay 16 A, probe NTC included	1510	12 Unit
AKO-13123	230V~, SPST relay 16 A, probe NTC included	1510	12 Unit

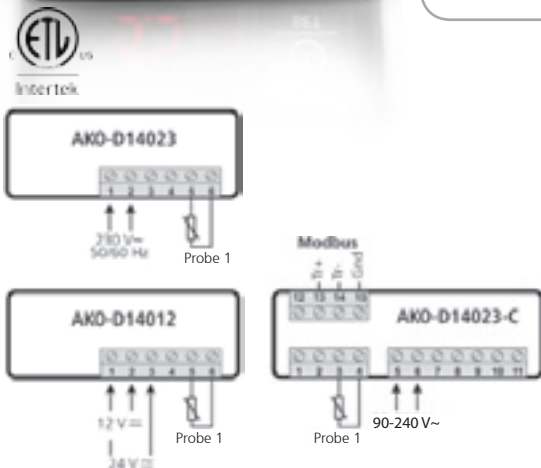
# Thermometers Range from -50 °C to +150 °C, panel mounting



**Temperature display.**

Temperature display in °C or °F with decimal point. NTC/PTC probe selectable by programme. Allows probe calibration. A single button for adjusting parameters. The AKO-14023-C model has integrated RS-485 communication.

**Application:** Industrial and commercial refrigeration, displays, incubators, vehicles



- With NTC probe, temperature range from -50.0 °C to +99.9 °C
- With PTC probe, temperature range from -50.0 °C to +150 °C
- 3-digit display (°C/°F)
- Resolution 0,1 °C
- Accuracy ±1 °C
- Panel cut-out dimensions 71 x 29 mm
- Front panel dimensions 79 x 38 mm
- Depth 43 mm (AKO-D14012 y AKO-D14023)
- Depth 61 mm (AKO-D14023-C)

Reference	Description	Family	Pack
AKO-D14012	12/24 V~, 1 NTC probe included	1510	12 Units
AKO-D14023	230 V~, 1 NTC probe included	1510	12 Units
AKO-D14023-C	90-240 V~, with communication, 1 NTC probe included	1510	12 Units

### Thermostats Range from -50°C to +150 °C, 1 relay output, panel mounting

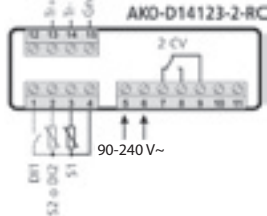
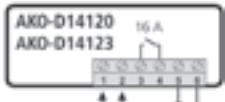
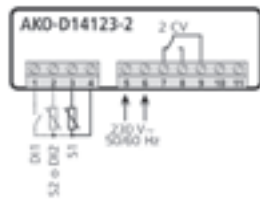
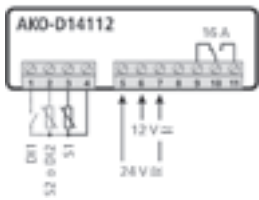


#### Programmable for cold and heat.

Programmable for cold and heat. Display and control in °C and °F with decimal point. NTC/PTC probe selectable by programme. Possible password protection for configuration. Defrost by compressor shutdown.

Configuration wizard depending on application (8 configurations).

**Application:** Industrial and commercial refrigeration, displays, incubators, vehicles



120 V~ AKO-D14120  
230 V~ 50-60 Hz AKO-D14123 Probe 1

- With NTC probe, temperature range from -50.0 °C to +99.9 °C
- With PTC probe, temperature range from -50.0 °C to +150 °C
- 3 digits Display (°C/° F)
- Resolution 0,1 °C
- Accuracy ±1 °C
- Panel cut-out dimensions 71 x 29 mm
- Front panel dimensions 79 x 38 mm
- Depth 43 mm (AKO-D14120 y AKO-D14123)
- Depth 61 mm (AKO-D14112 y AKO-D14123-2-RC)
- Compressor relay SPST 16 A: AC1=12, AC3=9 (AKO-D1412x)
- Compressor relay SPDT 2 CV: AC1=16, AC3=10 (AKO-D14123-2, AKO-D14123-2-RC)
- Compressor relay SPDT 16 A: AC1=12, AC3=9 (AKO-D14112)

Reference	Description	Family	Pack
AKO-D14112	12/24 V~, 1 SPDT relay 16 A, 1 NTC probe included	1510	12 Units
AKO-D14120	120 V~, 1 SPST 16 A, 1 NTC probe included	1510	12 Units
AKO-D14123	230 V~, 1 SPST relay 16 A, 1 NTC probe included	1510	12 Units
AKO-D14123-2	230 V~, 1 SPDT relay 2 CV, 1 NTC probe included	1510	12 Units
AKO-D14123-2-RC	90-240 V~, 1 SPDT relay 2 CV, communication, 1 NTC probe included	1510	12 Units

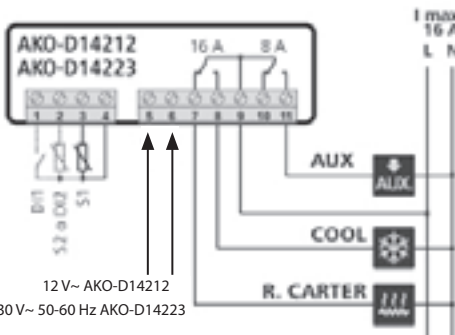
### Temperature controller Range from -50 °C to +99 °C, 2 relays, panel mounting



#### Compressor and auxiliary relay (defrost or fans).

Auxiliary relay function programmable as Defrost, Fans, Alarm or Light. A 2nd optional probe allows ending the defrost process by temperature. Programmable digital inputs such as door, switch, external alarm, remote defrost, energy saving or continuous cycle. Configuration wizard depending on application (8 configurations).

**Application:** Industrial and commercial refrigeration, display cabinets, electrical



12 V~ AKO-D14212  
230 V~ 50-60 Hz AKO-D14223

- Temperature range from -50.0 °C to +99.9 °C
- 3 Digits display (°C/°F)
- Resolution 0,1 °C
- Accuracy ±1 °C
- Panel cut-out dimensions 71 x 29 mm
- Front panel dimensions 79 x 38 mm
- Depth 61 mm
- Compressor relay SPDT 16 A: AC1=12, AC3=9
- Aux relay SPDT 8 A: AC1=8, AC3=4

Reference	Description	Family	Pack
AKO-D14212	12 V~, 2 relays , 1 NTC probe included	1510	12 Units
AKO-D14223	230 V~, 2 relays, 1 NTC probe included	1510	12 Units

## Temperature controllers Range from -50,0 °C to +99,9 °C, 3 relays, panel mounting

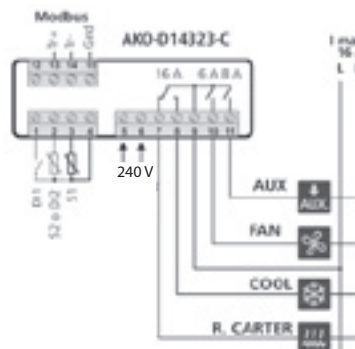
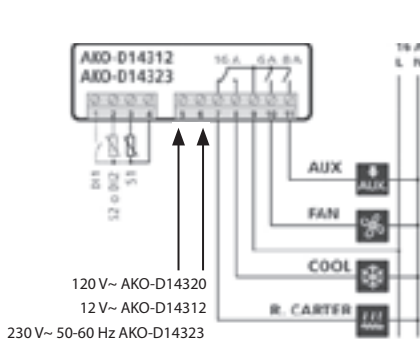


### Compressor, fan and auxiliary relay.

Auxiliary relay programmable as Defrost, Alarm or Light. Defrosts programmable by controlling compressor, resistances (or cycle reversal) and fans. A optional probe allows defrosting by temperature. Programmable digital inputs such as door switch, external alarm, remote defrost, energy saving or continuous cycle.

Configuration wizard depending on application (8 configurations). The AKO-14323-C model has integrated RS-485 communication.

**Application:** Industrial and commercial refrigeration, display cabinets, electrical panels, etc.



- Temperature range -50.0 °C to +99.9 °C
- Temperature Range (°C/°F)
- Resolution 0,1 °C
- Accuracy ±1 °C
- Panel cut-out dimensions 71 x 29 mm
- Front panel dimensions 79 x 38 mm
- Depth 61 mm
- Compressor relay SPDT 16 A: AC1=12, AC3=9
- Aux relay SPST 8 A: AC1=8, AC3=4
- Fan relay SPST 6 A: AC1=5, AC3=4

Reference	Description	Family	Pack
AKO-D14312	12 V~, 3 relays, 1 NTC probe included	1510	12 Units
AKO-D14320	120 V~, 3 relays, 1 NTC probe included	1510	12 Units
AKO-D14323	230 V~, 3 relays, 1 NTC probe included	1510	12 Units
AKO-D14323-C	90-240 V~, 3 relays, communication, 1 NTC probe included	1510	12 Units

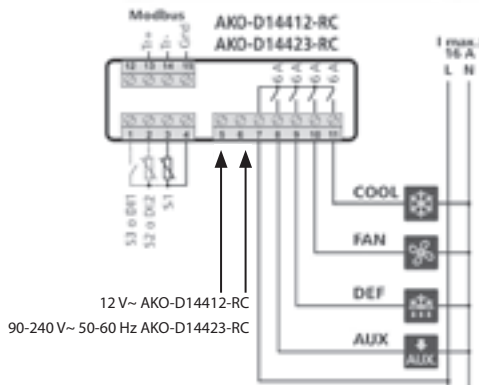
## Temperature controller Range from -50 °C to +99 °C, 4 relays



### Compressor and auxiliary relay (defrost or fans).

Auxiliary relay programmable as an alarm, 2nd defrost, gas collection or light. Defrost by heat, air or cycle reversal, programmable by controlling compressor, resistances (or cycle reversal) and fans. Real-time clock for starting defrosts. A 2nd optional probe allows defrosting by temperature. Programmable digital inputs such as door switch, external alarm, remote defrost, energy saving or continuous cycle. Integrated RS-485 communications. Configuration wizard depending on application (8 configurations). (8 configurations) for AKO-D14412-RC and AKO-D14423-RC devices.

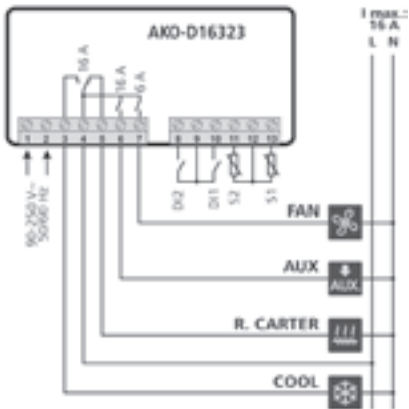
**Application:** Industrial and commercial refrigeration, display cabinets, electrical



- Temperature range from -50.0 °C to +99.9 °C
- 3 Digits display (°C/°F)
- Resolution 0.1 °C
- Accuracy ±1 °C
- Panel cut-out dimensions 71 x 29 mm
- Front panel dimensions 79 x 38 mm
- Depth 61 mm
- Compressor relay SPST 6A: AC1=5, AC3=4
- Fan relay SPST 6A: AC1=5, AC3=4
- Defrost relay SPST 6A: AC1=5, AC3=4
- Aux relay SPST 6A: AC1=5, AC3=4

Reference	Description	Family	Pack
AKO-D14412	12 V~, 1 NTC probe included	1510	12 Units
AKO-D14423	90-240 V~, 1 NTC probe included	1510	12 Units
AKO-D14412-RC	12 V~, 4 relays, communication + real time clock, 1 NTC probe included	1510	12 Units
AKO-D14423-RC	90-240 V~, 4 relays, with communication and clock, 1 NTC probe included	1510	12 Units

### Temperature controllers Range from -50.0 °C to +99.9 °C, 3 relays, panel mounting



**Large display. Relay for compressor, fans and defrost.**

Defrosts programmable by controlling compressor, resistances (or cycle reversal) and fans. A 2nd optional probe allows defrosting by temperature. Auxiliary relay programmable as Defrost, Alarm or Light. Programmable digital inputs such as door switch, external alarm, remote defrost, energy saving or continuous cycle. Configuration wizard depending on application (8 configurations).

**Application:** Industrial and commercial refrigeration

- Temperature range -50 °C to +99 °C
- 2 digits Display (°C/°F)
- Resolution: 0,1 °C on range -9,9 to 9,9 °C (1 °C in other range)
- Type of probe NTC
- Panel cut-out size 124 x 85 mm
- Front panel dimensions 139 x 100 mm
- Depth 40 mm
- Compressor relay SPDT 16 A: AC1=12, AC3=9
- Aux relay SPST 16 A: AC1=12, AC3=9
- Fan relay SPST 6 A: AC1=5, AC3=4

Reference	Description	Family	Pack
AKO-D16323	90-240 V~, 3 relays, 1 NTC probe included	1512	12 Units

### GRANVis Display of temperature and humidity

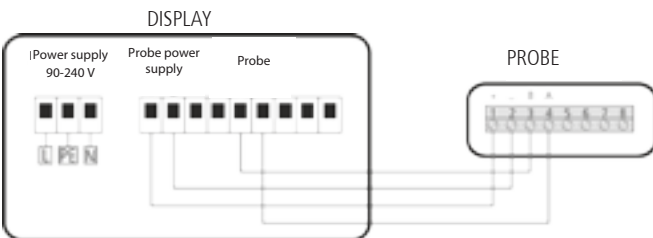


**Display of temperature and humidity for installation in buildings and public premises.**

Fast and easy installation, perfect visibility trough display and 3 digits of 100 mm in size allowing goog read up to 50 m included probe.

**Application:** Small's supermarkets, sports centers, restaurants, bus stations, train stations, airports, etc..

- Temperature range -9 °C to +60 °C
- 3 digits display (°C/°F)
- Temperature accuracy 0,5 %
- Humidity accuracy 2 % (10 up to 90 %)
- Front panel dimensions 482 x 368 mm
- Depth 41 mm
- Power supply 90-240 V



Reference	Description	Family	Pack
AKO-D17023	GRANVis display of temperature and humidity	1510	1 Units

## Thermostat and Thermometer Range from -50 °C to +99 °C, wall mounting

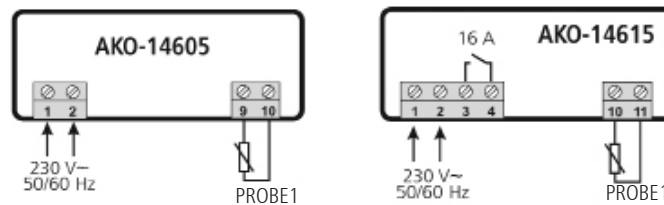


### Programmable temperature display for cold and heat.

Display and control in °C and °F. Possibility of blocking parameters. Defrost by compressor shutdown. NTC probe included in the kit, extendable with AKO-15586. Fixing holes suitable for universal recessed box.

**Application:** Industrial and commercial refrigeration, displays, cabinets, incubators, vehicles, etc...

- Temperature range -50 °C to +99 °C
- 2 digits display (°C/°F)
- Resolution 1 °C
- Accuracy ±1 °C
- Dimensions 80 x 120 x 37 mm
- Compressor relay SPST 16 A: AC1=12, AC3=9



Reference	Description	Family	Pack
AKO-14605	230 V~, 1 NTC probe included	1510	12 Units
AKO-14615	230 V~, 1 relay SPST 16A, 1 NTC probe included	1510	12 Units

## Thermometers Range from -50 °C to +150 °C, wall mounting

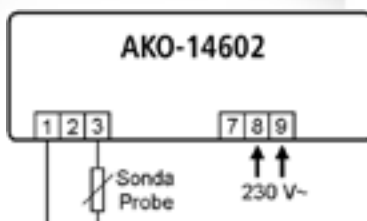


### Sonda NTC o PTC seleccionable por programa.

Temperature display in cold and heat applications. Allows probe calibration, display in °C or °F and password to enter programming. Fixing holes adapted to universal embedding box.

**Application:** Industrial and commercial cold, cold rooms, industrial warehouses, etc.

- NTC probe temperature range -50.0 °C to +99.9 °C
- PTC temperature range -50.0 °C to +150 °C
- 3 digits display (°C/°F)
- Resolution 0,1 °C
- Accuracy ±1 °C
- Box dimensions 171 x 94 x 42 mm
- Power supply 230 V~ ±10%, 50/60 Hz



Reference	Description	Family	Pack
AKO-14602	Thermometer 230 V~, 1 NTC probe included	1510	10 Units



## Temperature controllers Range from -50 °C to +150 °C, 1 output relay, wall mounting

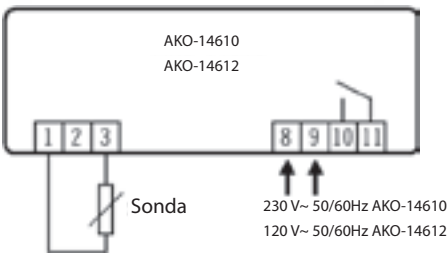


### Programmable for cold and heat.

NTC or PTC probe programme-selectable. Display and control with decimal point. Wall mounting. Fixing holes adapted to universal embedding box. Parameter protection by password. Indication in °C or °F.

**Application:** Industrial and commercial cold, cold rooms stores, incubators, industrial warehouses, etc.

- NTC probe temperature range -50.0 °C to +99.9 °C
- PTC probe temperature range -50.0 °C to +150 °C
- 3 digits display (°C/°F)
- Resolution 0,1 °C
- Accuracy ±1 °C
- Box dimensions 171 x 94 x 42 mm
- Control relay SPST 16 A: AC1=12, AC3=9



Reference	Description	Family	Pack
AKO-14610	Controller 230 V~, 1 SPST relay, 1 NTC probe included	1510	10 Units
AKO-14612	Controller 120 V~, 1 SPST relay, 1 NTC probe included	1510	10 Units

## Temperature controllers Range from -50 °C to +99 °C, 3 relays, wall mounting

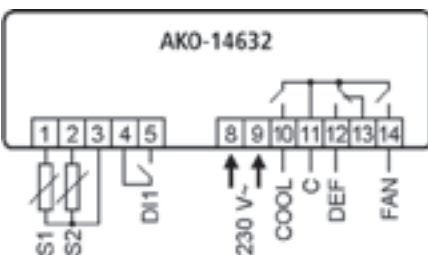


### Defrost by electric heat, air or hot gas bypass.

Programmable defrost by regulating the compressor, resistances (or hot gas bypass) and fans. With a 2nd optional probe, it enables defrost by temperature. Password enabled for entering the programming. Indication in °C or °F selectable by programme and probe calibration.

**Application:** Industrial and commercial cold, cold room stores, etc.

- Temperature range -50.0 °C to +99.9 °C
- 3 digits display (°C/°F)
- Resolution 0,1 °C
- Accuracy ±1 °C
- NTC probe
- Box dimensions 171 x 94 x 42 mm
- Digital input for door contact
- Compressor relay SPST 16 A: AC1=12, AC3=9
- Fan relay SPST 16 A: AC1=5, AC3=4
- Defrost relay SPDT 16 A: AC1=8, AC3=4
- Power supply 230 V~ ±10%, 50/60 Hz



Reference	Description	Family	Pack
AKO-14632	Controller 230 V~, 3 relays, 1 NTC probe included	1510	10 Units

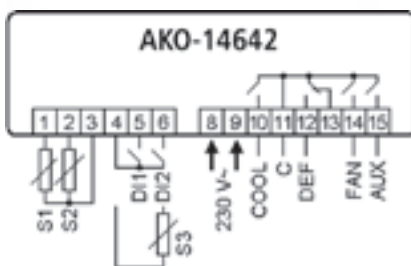
## Temperature controllers Range from -50 °C to +99 °C, 4 relays, wall mounting



### Configurable auxiliary relay.

Defrost by electric heat, air or hot gas bypass, programmable by regulating the compressor, resistances (or hot gas bypass) and fans. With a 2nd optional probe, it enables defrost by temperature. Auxiliary relay configurable for indicating alarms, defrost 2nd evaporator or solenoid control. Possible stop for pump down. Input for independent temperature probe or defrost control in 2nd evaporator. Digital input for door contact.

**Application:** Industrial and commercial cold, cold room stores, etc.



- Temperature range -50.0 °C to +99.9 °C
- Display 3 Digits (°C/°F)
- Resolution 0,1 °C
- Accuracy ±1 °C
- NTC probe
- Box dimensions 171 x 94 x 42 mm
- Compressor relay SPST 16 A: AC1=12, AC3=9
- Fan relay SPST 6 A: AC1=5, AC3=4
- Defros relay SPDT 8 A: AC1=8, AC3=4
- Aux relay SPST 6 A: AC1=5, AC3=4
- Power supply 230V~ ±10%, 50/60 Hz

Reference	Description	Family	Pack
AKO-14642	Controller 230 V~, 4 relays, 1 NTC probe included	1510	10 Units

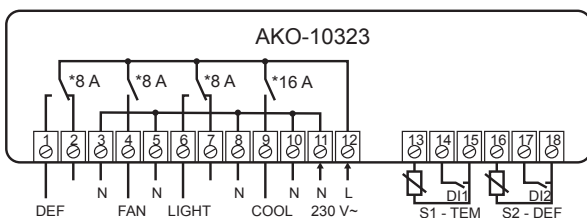
## Large frontal temperature controllers 2,3 and 4 relays, panel mounting



### Compressor and light relay.

6 keys: Up, Down, Set, Escape, Light and ON/OFF. Pushbutton to turn the unit on and off and light switch. Defrost by compressor shutdown. Continuous cycle is possible. Password enabled for entering programming, programme-selectable indication in °C o °F Digital input configurable for door contact, severe alarm, remote defrost, change in set-point temperature.

**Application:** Industrial and commercial cold, cold room stores, etc.



- Temperature range -50 °C to +99 °C
- 3 digits display (°C/°F)
- Resolution 0,1 °C
- Accuracy ±1 °C
- NTC probe
- Panel cut-out dimensions 150 x 31 mm
- Box dimensions 149 x 30 x 57,7 mm
- Frame 174 x 34 mm
- Compressor relay SPST 16 A: AC1=16, AC3=10
- Light relay SPDT 8 A: AC1=8, AC3=4
- Defrost relay SPDT 8 A: AC1=8, AC3=4 (solo AKO-10223 y AKO-10323)
- Fans relay SPDT 8 A: AC1=8, AC3=4 (only AKO-10223 and AKO-10323)
- Power supply 230 V~ ±10%, 50/60 Hz

Reference	Description	Family	Pack
AKO-10123	Controlller 1 control relay + light relay 230 V~	1510	10 Units
AKO-10223	Controlller 2 control relay + light relay 230 V~	1510	10 Units
AKO-10323	Controlller 3 control relay +light relay 230 V~	1510	10 Units

## Extended panel temperature controllers 1,2,3, relays, panel mounting

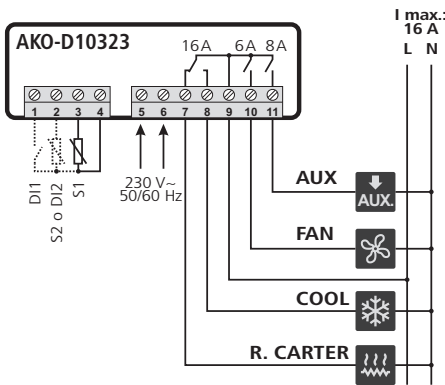


### Compressor relay, auxiliary and fans (3 relays controls only).

Auxiliary relay programmable as defrost, alarm or light. Programmable defrost controlling compressor, electric heat (or inverted cycle) and fans. With a 2nd optional probe it enable defrost by temperature. Configurable digital input for door contact, external alarm, remote defrost, energy (saving) or continuous cycle.

Assistant to put on service (8 settings). It incorporates two switches for auxiliary functions ideal for controlling furniture on/off, lights, etc.

**Application:** Industrial and commercial cold, displays, electric panels, etc.



- Temperature range -50 °C to +99 °C
- Temperature range (°C/°F)
- Resolution 0,1 °C
- Accuracy ±1 °C
- NTC probe
- Panel cut-out dimensions 136 x 29 mm
- Box dimensions 70 x 61 x 28,5 mm
- Frame 181 x 38 mm
- Compressor relay SPST 16 A: AC1=16, AC3=10
- Light relay SPDT 8 A: AC1=8, AC3=4
- Aux relay SPST 8 A: AC1=8, AC3=4
- Fans relay SPST 6 A: AC1=8, AC3=4
- Power supply 230 V~ ±10%, 50/60 Hz

Reference	Description	Family	Pack
AKO-D10123	Controller 1 control relay + light switch and on/off 230 V~	1510	10 Units
AKO-D10223	Controller 2 control relay + light switch and on/off 230 V~	1510	10 Units
AKO-D10323	Controller 3 control relay + light switch and on/off 230 V~	1510	10 Units

## Thermometers Range from -50 °C to +70 °C, panel mounting



AKO-80032



AKO-80025

### Battery thermometers.

Temperature display in cold and heat applications.

**Application:** Industrial and commercial cold, displays.

- Temperature range -50 °C to +70 °C
- LCD display
- Resolution 0,1 °C
- Accuracy ±1 °C
- Battery power supply 1,5 V (G10)
- Dimensions AKO-80025 48 x 28,6 x 14 mm
- Dimensions AKO-80032 85,2 x 29,2 x 14,8 mm

Reference	Description	Family	Pack
AKO-80025	1,5 V Batteries (G10), probe 3 m	1510	25 Units
AKO-80032	Solar power supply + 1,5 V batteries (G10), probe 2 m	1510	25 Units

## Temperature controllers Range from -99,9 °C to +1370 °C, 48 x 48 format

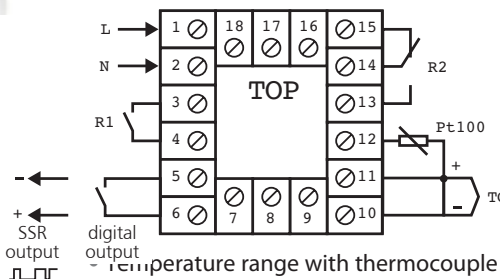


### Input for Pt100 probe, J and K thermocouple.

ON/OFF Control. Programmable for cold and heat. With the 2 outputs, the controller can be used to work as a stage plus alarm.

**Application:** Ovens, electrical panels, industrial installations, etc.

- Temperature range with Pt100 probe -99,9 °C to +850,0 °C
- Temperature range with thermocouple J -99,9 °C to +800,0 °C
- K -99,9 °C to +1370 °C
- Resolution 0,1 °C
- Accuracy  $\pm 1$  °C
- 4 Digits display (°C/°F)



- Control output SSR 12 Vdc, max. 10 mA
- Front part dimensions 48 x 48 mm
- Panel cut-out dimensions 45 x 45 mm
- Depth 119 mm
- R1 SPST relay 6 A, 250 V,  $\cos\phi = 1$
- Relé R2 SPDT 5 A, 250 V,  $\cos\phi = 1$

Reference	Description	Family	Pack
AKO-15440	Controller ON/OFF power supply from 20 up to 48 V~	1535	1 Unit
AKO-15490	Controller ON/OFF power supply from 100 up to 240 V~	1535	1 Unit

## PID controller, 48 x 48 format Range from -99,9 °C up to +1370 °C

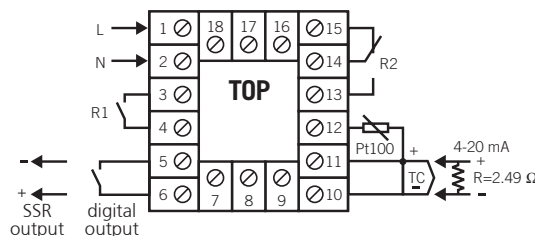


### Input for Pt100 probe, Thermocouple J and K, 4-20mA

Programmable for cold and heat. Controller PID or ON/OFF programme-selectable. Self-tuning function. Probe input configurable as Pt100, thermocouple J and K, 4-20mA. With the 2 outputs, the controller can be used to work as a stage plus alarm. Digital input configurable for SetPoint change or start-stop of the unit.

**Application:** Ovens, electrical panels, industrial installations, etc.

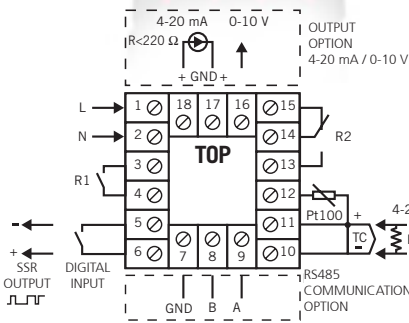
- Temperature range probe Pt100 -99,9 °C to +850,0 °C
- Temperature range with thermocouple J -99,9 °C to +800,0 °C
- Temperature range with thermocouple K -99,9 °C to +1370 °C
- Temperature range with thermocouple 4-20mA -999 °C to +2500 °C



- Resolution 0,1 °C
- Accuracy  $\pm 1$  °C
- Display 4 Digits (°C/°F)
- SSR control output 12 Vdc, max. 10 mA
- Front part dimensions 48 x 48 mm
- Panel cut-out dimensions 45 x 45 mm
- Depth 119 mm
- R1 relay SPST 6 A, 250 V,  $\cos\phi = 1$
- R2 relay SPDT 5 A, 250 V,  $\cos\phi = 1$

Reference	Description	Family	Pack
AKO-15400	Controller with power supply from 20 up to 48 V~	1535	1 Unit
AKO-15450	Controlador con alimentación from 100 up to 240 V~	1535	1 Unit

### PID controller, 48 x 48 format Range -99,9 °C to +1370 °C, output 4-20 mA/0-10 V



#### With 4-20mA/0-10V output.

Programmable for cold and heat. Controller PID or ON/OFF programme-selectable. Self-tuning function. Probe input configurable as Pt100, thermocouple J and K, 4-20 mA. With the 2 outputs, the controller can be used to work as a stage plus alarm. With the 4-20 mA/0-10V output option, we have an analogue output to govern a valve or to resend the signal to a variator or PLC.

With the RS-485 communication option, the unit can be connected to a network working with ModBus protocol.

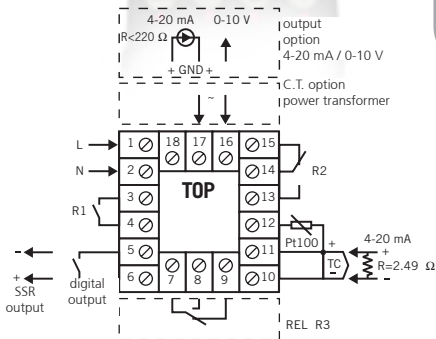
**Application:** Ovens, electrical panels, industrial installations, etc.

- Temperature range with probe Pt100 -99,9 °C to +850,0 °C
- Temperature range with probe thermocouple J -99,9 °C to +800,0 °C
- Temperature range with probe thermocouple K -99,9 °C to +1370 °C
- Temperature range with 4-20 mA -99,9 °C to +2500 °C
- Resolución 0,1 °C
- Precisión ±1 °C
- Visualización 4 Dígitos (°C/°F)
- Salida control SSR 12 Vdc, máximo 10 mA
- Front part dimensions 48 x 48 mm
- Panel cut-out dimensions 45 x 45 mm
- Depth 119 mm
- R1 relay SPST 6 A, 250 V, cos∞= 1
- R2 SPDT 5 A, 250 V, cos∞= 1

Reference	Description	Family	Pack
AKO-15430	20 to 48 V~, with 4-20 mA	1535	1 Unit*
AKO-15437	20 to 48 V~, with 4-20 mA output and communication	1535	1 Unit*
AKO-15480	100 to 240 V~, with 4-20 mA output and communication	1535	1 Unit.
AKO-15487	100 to 240 V~, with 4-20 mA output and communication	1535	1 Unit.

\*Available on request

### PID controller, 48 x 48 format 48 x 48 Range from -99,9 °C to +1370 °C, 3 relays



#### With additional relay output.

Programmable for cold and heat. Controller PID or ON/OFF programme-selectable. Self-tuning function. Probe input configurable as Pt100, thermocouple J and K, 4-20 mA. Digital input configurable for SetPoint change or start-stop of the unit. With the 3 outputs, the controller can operate as a two stage, a neutral zone, with alarm signalling. With the 4-20 mA/0-10V output option, we have an analogue output to govern a valve or to resend the signal to a variator or PLC. With the option of an input for current transformer (C.T.) the breakage of the heating resistance can be detected.

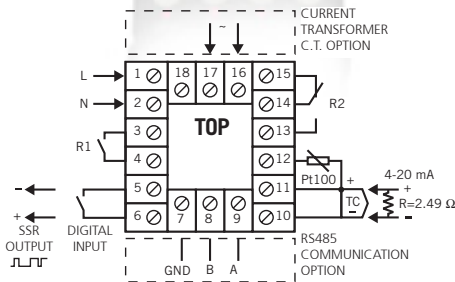
**Application:** Ovens, electrical panels, industrial installations, etc.

- Temperature range with probe Pt100 -99,9 °C a +850,0 °C
- Temperature range with thermocouple J -99,9 °C to +800,0 °C
- Temperature range with thermocouple K -99,9 °C to +1370 °C
- Temperature range with 4-20 mA -99,9 °C to +2500 °C
- Resolution 0,1 °C , Accuracy ±1 °C
- 4 Digits display (°C/°F)
- Output control SSR 12 Vdc, maximum 10 mA
- Front part dimensions 48 x 48 mm
- Panel cut-out dimensions 45 x 45 mm
- Depth 119 mm
- R1 relay SPST 6 A, 250V, cos∞= 1
- R2 relay SPDT 5 A, 250V, cos∞= 1
- R3 relay SPDT 5 A, 250V, cos∞= 1

Reference	Description	Family	Pack
AKO-15410	20 to 48 V~, relay 3 SPDT 5 A	1535	1 Unit*
AKO-15413	20 to 48 V~, relay 3 SPDT 5 A, with 4-20 mA output	1535	1 Unit*
AKO-15415	20 to 48 V~, relay 3 SPDT 5 A, wit input for C.T.	1535	1 Unit*
AKO-15460	100 to 240 V~, relay 3 SPDT 5 A	1535	1 Unit.
AKO-15463	100 to 240 V~, relay 3 SPDT 5 A, with output 4-20 mA	1535	1 Unit.
AKO-15465	100 to 240 V~, relay 3 SPDT 5 A, with output for C.T.	1535	1 Unit*
AKO-80033	Intensity transformer (CT) 25 A/0,05 A	1590	25 Units

\*Available on request

## Control PID, formato 48 x 48 with RS485 communication



### Communication and input for current transformer.

Programmable for cold and heat. Controller PID or ON/OFF programme-selectable. Self-tuning function. Probe input configurable as Pt100, thermocouple J and K, 4-20 mA. With the 2 outputs, the controller can be used to work as a stage plus alarm. With the option of an input for current transformer (C.T.) the breakage of the heating resistance can be detected. With the RS-485 communication option, the unit can be connected to a network working with ModBus protocol.

**Application:** Ovens, electrical panels, industrial installations, etc.

- Temperature range with probe Pt100 -99,9 °C to +850,0 °C
- Temperature range with thermocouple J -99,9 °C to +800,0 °C
- Temperature range with thermocouple K -99,9 °C to +1370 °C
- Temperature range with 4-20 mA -999 °C to +2500 °C
- Resolution 0,1 °C / Accuracy ±1 °C
- 4 Digits display (°C/°F)
- Output control SSR 12 Vdc, max 10 mA
- Front part dimensions 48 x 48 mm
- Panel cut-out dimensions 45 x 45 mm
- Depth 119 mm
- R1 relay SPST 6 A, 250 V, cosφ= 1
- R2 relay SPDT 5 A, 250 V, cosφ= 1

Reference	Description	Family	Pack
AKO-15401	20 to 48 V~, with input for C.T.	1535	1 Unit*
AKO-15402	20 to 48 V~, with communication	1535	1 Unit*
AKO-15403	20 to 48 V~, with input C.T. y comunicación	1535	1 Unit*
AKO-15451	100 to 240 V~, with input C.T.	1535	1 Unit*
AKO-15452	100 to 240 V~, with communication	1535	1 Unit
AKO-15453	100 to 240 V~, with input C.T. and communication	1535	1 Unit*
AKO-80033	Intensity transformer (C.T.) 25 A/0,05 A	1590	25 Units

\* Available on request

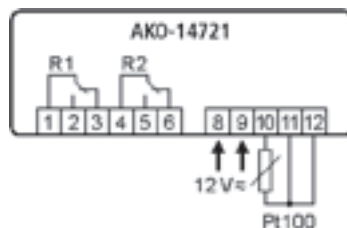
## Input controllers 4/20 mA Range from -50,0 °C to +600 °C, 2 relays, panel mounting



### 2 control relays.

Programmable for direct and inverse operation. With 2 relay outputs, the controller can be used to work as 2 independent stages, 2 related stages, neutral zone and 1 stage plus alarm. It has 1 digital input for remote change of the SetPoint

**Aplicación:** Fyers, electric panels, industrial installations, sewage treatment



- Temperature range -50 °C to +600 °C
- 3 digits display
- Resolution 1 °C
- Accuracy ±0,5 °C
- Pt100 probe
- Panel cut-out dimensions 70,5 x 28,5 mm
- Front part dimensions 75,8 x 33,8 mm
- Depth 61 mm
- Control relay 2 SPDT 8 A, 250 V, cosφ= 1
- Power supply 12 V~ ±15%, 50/60 Hz

Reference	Description	Family	Pack
AKO-14721	12 V~, Pt-100 probe no included	1530	12 Units

### Temperature or humidity controllers 2 relays output, panel mounting



**Input for Pt100, NTC, PTC probes, J and K thermocouple, 4-20 mA**

Programmable for cold and heat.

With the 2 relay outputs, the controller can be used to work as 2 independent stages, 2 related stages, neutral zone and one stage plus alarm.

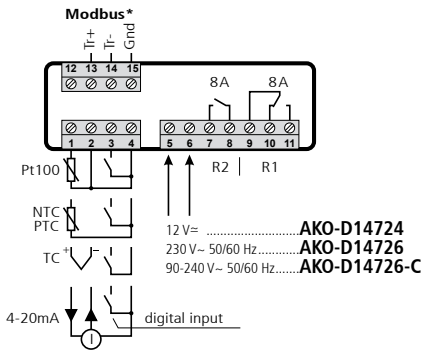
Digital input for SetPoint change.

**Application** Ovens, electric panels, industrial installations, incubators, etc.

- Temperature range with probe Pt100  
-100 °C to +440 °C
- Temperature range with probe NTC  
-50 °C to +100 °C
- Temperature range with probe PTC  
-50 °C to +150 °C

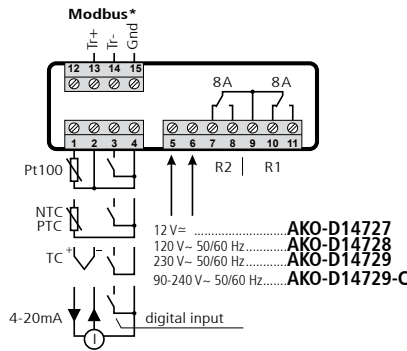
- Range 4-20 mA from -999 to + 999
- Temperature range with thermocouple J  
0 °C to +600 °C
- Temperature range with thermocouple K  
0 °C to +1000 °C
- Resolution 0,1 °C (1 °C for thermocouples J, K)
- Accuracy ±1 °C (±2 °C for thermocouples J, K)
- 3 Digits display (°C/°F)
- Panel cut-out dimensions 71 x 29 mm
- Front part dimensions 79 x 38 mm
- Depth 61 mm
- Control relay 1, 8 A SPST-SPDT: AC1=8, AC3=4
- Control relay 2, 8 A SPDT: AC1=8, AC3=4

**AKO-D14724/6/6-C**



\*depending reference

**AKO-D14727/9/9-C**



Reference	Description	Family	Pack
AKO-D14724	12 V~, temperature or humidity controller	1530	12 Units
AKO-D14726	230 V~, temperature or humidity controller	1530	12 Units
AKO-D14726-C	90-240 V~, temperature or humidity controller + communication	1530	12 Units
AKO-D14728	12 V~, temperature or humidity controller	1530	12 Units
AKO-D14729	230 V~, temperature or humidity controller	1530	12 Units
AKO-D14729-C	90-240 V~, temperature or humidity controller + communication	1530	12 Units

## Temperature controllers Range from -99,9 °C to +999 °C, 2 relays, DIN rail mounting

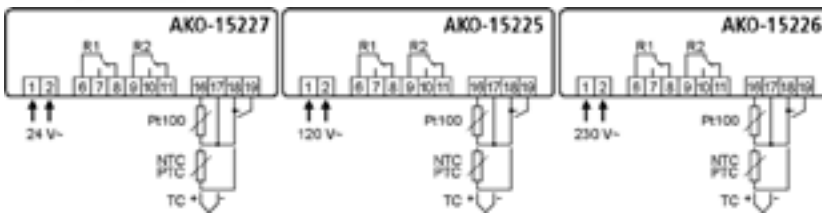


### Input for Pt100, NTC, PTC probes, J and K thermocouple.

With the 2 relay outputs, the controller can be used to work as 2 independent stages, 2 related stages, neutral zone and one stage plus alarm. Digital input for SetPoint change.

**Application:** Ovens, electric panels, industrial installations, incubators, etc.

- Temperature range wit probe Pt100  
-100 °C to +440 °C
- Temperature range wit probe NTC  
-50 °C to +100 °C
- Temperature range wit probe PTC  
-50 °C to +100 °C
- Temperature range wit thermocouple J  
0 °C a +600 °C
- Temperature range wit thermocouple K  
0 °C a + 999 °C
- Display 3 Digits (°C/°F)
- Resolution 0,1 °C (1 °C for thermocouples, J, K)
- Accuracy  $\pm 1$  °C ( $\pm 2$  °C for thermocouples, J, K)
- Box dimensions 70 x 90 x 58 mm  
(4 DIN modules)
- Front part dimensions 42,2 x 66,2 mm
- Control relays 2 SPDT 8 A: AC1=8, AC3=4



Referencie	Description	Family	Pack
AKO-15227	24 V~, for DIN rail 4 modules, 70 x 58 x 90 mm	1530	6 Units
AKO-15225	120 V~, for DIN rail 4 modules, 70 x 58 x 90 mm	1530	6 Units
AKO-15226	230 V~, for DIN rail 4 modules, 70 x 58 x 90 mm	1530	6 Units

## Solar energy controllers Differential thermostat 2 relays, wall mounting

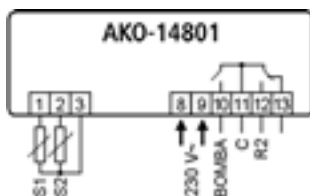


### Pump controls, support resistance or air-thermal.

Input for 2 probes. Probe 1 configurable as NTC or PTC, probe 2 NTC. De-icing function. Second relay programmable as air-thermal regulating function to limit the temperature in the solar panel or thermostat function for the support resistance in the accumulator. Parameter protection by password. Test pushbuttons. Low consumption. Fixing holes adapted to universal embedding box.

**Application:** Thermal solar energy installations

- With NTC probe, temperature range from -50.0 °C to +99.9 °C
- With PTC probe, temperature range from -50.0 °C to +150 °C
- 3 digits display (°C/°F)
- Resolution 0,1 °C
- Accuracy  $\pm 1$  °C
- Box dimensions 171 x 94 x 42 mm
- Pump relay SPST 16 A: AC1=12, AC3=9
- Relay R2 SPDT 8 A: AC1=8, AC3=4
- Power supply 230V~  $\pm 10\%$ , 50/60 Hz



Reference	Description	Family	Pack
AKO-14801	Controller 230 V~, 2 relays, 1 NTC probe included	1530	10 Units



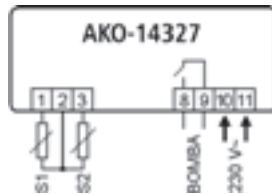
## Solar energy controllers Panel differential thermostat



### Panel differential thermostat

Input for 2 NTC probes. De-icing function. Pump stop for excessive temperature in probe 2. Low consumption.

**Application:** Thermal solar energy installations



- Temperature range from -50.0 °C to + 99.9 °C
- Resolution 1 °C
- Accuracy ±1 °C
- Panel cut-out dimensions 70,5 x 28,5 mm
- Front part dimensions 75,8 x 33,8 mm
- Depth 61 mm
- RPump relay SPST 16 A: AC1=10, AC3=7
- Power Supply 230 V~ ±10%, 50/60 Hz

Reference	Description	Family	Pack
AKO-14327	Controller 230 V~, 1 relay, 1 NTC probe included	1530	12 Units

## Solar energy controllers Differential thermostat, DIN rail mounting (4 modules)



### DIN rail format for panel integration.

Input for 2 NTC probes. De-icing function. Pump stop for excessive temperature in probe 2. Low consumption.

**Application:** Thermal solar energy installations



- Temperature range from -50 °C to +99,9 °C
- Display 3 Digits (°C/°F)
- Resolution 0,1 °C
- Accuracy ±1 °C
- NTC probe
- Box dimensions 70 x 90 x 58 mm (4 DIN modules)
- Front part dimensions 42,2 x 66,2 mm
- Pump relay SPST 16 A: AC1=12, AC3=9
- Power supply 230 V~ ±10%, 50/60 Hz

Reference	Description	Family	Pack
AKO-15224	Controller 230 V~, 1 relay, 1 NTC probe included	1530	6 Units

## Temperature controllers 2 relays, up to 2 probes, panel mounting



### Multifunction

The two probe inputs may be linked with the relay outputs for the functions of thermometer and thermostat in cold and heat applications, as a differential control of the two probes, double thermostat, two stages, neutral zone, etc. The configuration of the menus means that certain parameters may or may not be adjusted by the user, so that they might exclusively have the information and adjustment that the use of the machine requires. It is possible to modify the functions of the keys on the front and the temperature display. The configuration may be blocked by password.

**Application:** Solar energy, electric panels, industrial installations, etc

- Temperature range from -50 °C to + 99,9 °C
- Resolution 0,1 °C
- 3 digits display (°C/°F)
- Accuracy 0,5 °C
- NTC probe (1 included)
- Panel cut-out dimensions 70,5 x 28,5 mm
- Front part dimensions 75,8 x 33,8 mm
- Depth 61 mm
- Relay R1 SPST 16 A: AC1=12, AC3=9
- Relay R2 SPDT 8 A: AC1=8, AC3=4



Referencie	Description	Family	Pack
AKO-14722	12 V~, for panel cut-out 70,5 x 28,5 mm	1530	12 Units
AKO-14723	230 V~, for panel cut-out 70,5 x 28,5 mm	1530	12 Units

## Temperature controllers 2 relays, up to 2 probes, DIN rail mounting

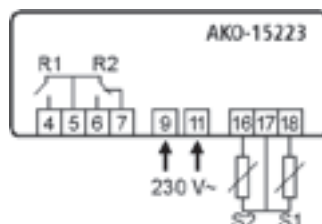


### Multifunction

The two probe inputs may be linked with the relay outputs for the functions of thermometer and thermostat in cold and heat applications, as a differential control of the two probes, double thermostat, two stages, neutral zone, etc. The configuration of the menus means that certain parameters may or may not be adjusted by the user, so that they might exclusively have the information and adjustment that the use of the machine requires. It is possible to modify the functions of the keys on the front and the temperature display. The configuration may be blocked by password.

**Application:** Solar energy, electric panels, industrial installations, etc

- Temperature range from -50 °C to + 99,9 °C
- Resolution 0,1 °C
- 3 digits displays (°C/°F)
- Accuracy 0,5 °C
- NTC probe (1 included)
- Box dimensions 70 x 90 x 58 mm (4 modules DIN)
- Front part dimensions 42,2 x 66,2 mm
- Relay R1 SPST 16 A: AC1=12, AC3=9
- Relay R2 SPDT 8 A: AC1=8, AC3=4
- Power supply 230 V~ ±10%, 50/60 Hz



Reference	Description	Family	Pack
AKO-15223	230 V~, for DIN rail	1530	6 Units

## Modular controllers **AKOTIM** Range from -50 °C to +99 °C, 1 relay, panel mounting



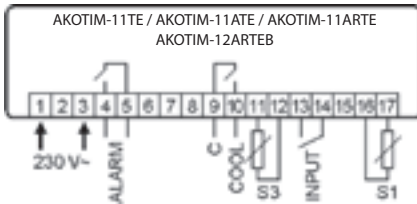
### Compressor control relay

Used to regulate the temperature of cold generators and to display the information from the operation log on, the refrigeration time, the defrost time and the complete cycle. They store information on the maximum and minimum temperatures reached, in addition to other useful parameters to the HACCP.

Programme-selectable indication in °C o °F 2 inputs for control probe and independent temperature. Digital input for door contact. Defrost by compressor stop.

**Application:** Industrial and commercial cold, displays, electrical panels, etc.

- Temperature range from -50 °C to +99,9 °C
- 3 digits display (°C/°F)
- Resolution 0,1 °C
- Accuracy ±1 °C
- NTC probe
- Front part dimensions 75,8 x 33,8 mm
- Panel cut-out dimensions 70,5 x 28,5 mm
- Depth 61 mm
- Compressor relay SPST 16 A: AC1=12, AC3=9
- Alarm relay SPST 6 A: AC1=5, AC3=4 (No AKOTIM-11TE)
- Power supply 230 V~ ±10%, 50/60 Hz



Reference	alarm relay	Real time clock	Buzzer	Family	Pack
AKOTIM-11TE	-	-	-	1520	12 Units
AKOTIM-11ATE	yes	-	-	1520	12 Units
AKOTIM-11ARTE	yes	yes	-	1520	12 Units
AKOTIM-11ARTEB	yes	yes	yes	1520	12 Units

## Modular controllers **AKOTIM** Range from -50 °C to +99,9 °C, 2 relays, panel mounting

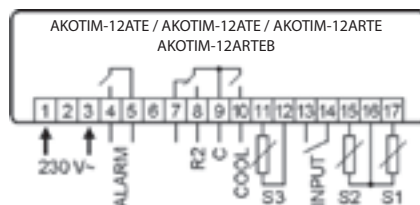


### Compressor relay and R2 (defrost or fans)

Used to regulate the temperature of cold generators and to display the information from the operation log on, the refrigeration time, the defrost time and the complete cycle. They store information on the maximum and minimum temperatures reached, in addition to other parameters of use to the HACCP, 3 inputs for regulating probe, evaporator and independent temperature. Digital input for door contact. Defrost by electric heat or air. Programme-selectable indication in °C o °F.

**Application:** Industrial and commercial cold, displays, electrical panels, etc.

- Temperature range -50 °C to +99,9 °C
- 3 digits display (°C/°F)
- Resolution 0,1 °C
- Accuracy ±1 °C
- NTC probe
- Front part dimensions 75,8 x 33,8 mm
- Panel cut-out dimensions 70,5 x 28,5 mm
- Depth 61 mm
- Compressor relay SPST 16 A: AC1=12, AC3=9
- Relay R2 SPDT 8 A: AC1=8, AC3=4
- Alarm relay SPST 6 A: AC1=5, AC3=4 (No AKOTIM-12TE)
- Power supply 230 V~ ±10%, 50/60 Hz



Reference	Alarm relay	Real Time clock	Buzzer	Family	Pack
AKOTIM-12TE	-	-	-	1520	12 Units
AKOTIM-12ATE	yes	-	-	1520	12 Units
AKOTIM-12ARTE	yes	yes	-	1520	12 Units.
AKOTIM-12ARTEB	yes	yes	yes	1520	12 Units

## Modular controllers **AKOTIM** Range from -50 °C to + 99,9 °C, 3 relays, panel mounting



### Relay for compressor, fans and defrost

Used to regulate the temperature of cold generators and to display the information from the operation log on, the refrigeration time, the defrost time and the complete cycle. They store information on the maximum and minimum temperatures reached, in addition to other useful parameters to the HACCP.

Programme-selectable indication in °C or °F. 2 inputs for control probe and independent temperature. Digital input for door contact. Defrost by electric heat, air or hot gas bypass

**Application:** Industrial and commercial cold, displays, electrical panels, etc.



Reference	Alarm relay	Real time clock	Buzzer	Family	Pack
AKOTIM-13TE	-	-	-	1520	12 Units
AKOTIM-13ATE	yes	-	-	1520	12 Units
AKOTIM-13ARTE	yes	yes	-	1520	12 Units
AKOTIM-13ARTEB	yes	yes	yes	1520	12 Units

## Controles modulares **AKOTIM** Range from -50 °C to +99,9 °C, 1 relay, rail DIN mounting

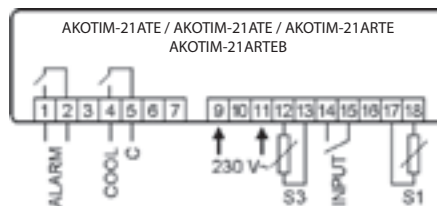


### Compressor control relay

Used to regulate the temperature of cold generators and to display the information from the operation log on, the refrigeration time, the defrost time and the complete cycle. They store information on the maximum and minimum temperatures reached, in addition to other useful parameters to the HACCP. Programme-selectable indication in °C or °F. 2 inputs for control probe and independent temperature. Digital input for door contact. Defrost by compressor stop.

**Application:** Industrial and commercial cold, displays, electrical panels, etc.

- Temperature range from -50 °C to +99,9 °C
- 3 digit display (°C/°F)
- Resolution 0,1 °C
- Accuracy ±1 °C
- NTC probe
- Box dimensions 70 x 90 x 58 mm (4 modules DIN)
- Front part dimensions 42,2 x 66,2 mm
- Compressor relay SPST 16 A: AC1=12, AC3=9
- Fan relay SPST 6 A: AC1=5, AC3=4
- Defros relay SPDT 8 A: AC1=8, AC3=4
- Alarm relay SPST 6 A: AC1=5, AC3=4 (No AKOTIM-21TE)
- Power supply 230 V~ ±10%, 50/60 Hz



Reference	alarm relay	Real time clock	Buzzer	Familiy	Pack
AKOTIM-21TE	-	-	-	1520	6 Units
AKOTIM-21ATE	yes	-	-	1520	6 Units
AKOTIM-21ARTE	yes	yes	-	1520	6 Units
AKOTIM-21ARTEB	yes	yes	yes	1520	6 Units

## Modular controllers **AKOTIM** Range from -50 °C to +99,9 °C, 2 relays, DIN rail mounting



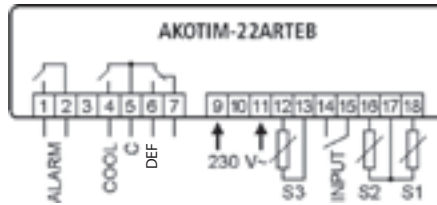
### Compressor relay and R2 (defrost or fans)

Used to regulate the temperature of cold generators and to display the information from the operation log on, the refrigeration time, the defrost time and the complete cycle. They store information on the maximum and minimum temperatures reached, in addition to other useful parameters to the HACCP.

3 inputs for regulating probe, evaporator and independent temperature. Digital input for door contact. Defrost by electric heat or air. Programme-selectable indication in °C or °F.

**Application:** Industrial and commercial cold, displays, electrical panels, etc.

- Temperature range from -50 °C to +99,9 °C
- 3 digits display (°C/°F)
- Resolution 0,1 °C
- Accuracy ±1 °C
- NTC probe
- Box dimensions 70 x 90 x 58 mm (4 modules DIN)
- Front part dimensions 42,2 x 66,2 mm
- Compressor relay SPST 16 A: AC1=12, AC3=9
- Alarm relay SPST 6 A: AC1=5, AC3=4 (No AKOTIM-22TE)
- Power supply 230 V~ ±10%, 50/60 Hz



Reference	Alarm relay	Real time clock	Buzzer	Family	Pack
AKOTIM-22TE	-	-	-	1520	6 Units
AKOTIM-22ATE	Si	-	-	1520	6 Units
AKOTIM-22ARTE	Si	Si	-	1520	6 Units
AKOTIM-22ARTEB	Si	Si	Si	1520	6 Units

## Modular controllers **AKOTIM** Range from -50 °C to +99,9 °C, 3 relays, DIN rail mounting



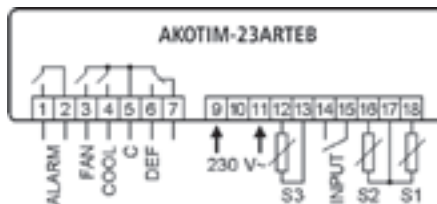
### Relay for compressor, fans and defrost

Used to regulate the temperature of cold generators and to display the information from the operation log on, the refrigeration time, the defrost time and the complete cycle. They store information on the maximum and minimum temperatures reached, in addition to other useful parameters to the HACCP.

Programme-selectable indication in °C or °F. 2 inputs for control probe and independent temperature. Digital input for door contact. Defrost by electric heat, air or hot gas bypass.

**Application:** Industrial and commercial cold, displays, electrical panels, etc.

- Temperature range -50 °C to +99,9 °C
- 3 digit display (°C/°F)
- Resolution 0,1 °C
- Accuracy ±1 °C
- NTC probe
- Box dimensions 70 x 90 x 58 mm (4 modules DIN)
- Front part dimensions 42,2 x 66,2 mm
- Compressor relay SPST 16 A: AC1=12, AC3=9
- Fan relay SPST 6 A: AC1=5, AC3=4
- Defrost relay SPDT 8 A: AC1=8, AC3=4
- Power supply 230 V~ ±10%, 50/60 Hz



Reference	Alarm relay	Real time clock	Buzzer	Family	Pack
AKOTIM-23TE	-	-	-	1520	6 Units
AKOTIM-23ATE	yes	-	-	1520	6 Units.
AKOTIM-23ARTE	yes	yes	-	1520	6 Units
AKOTIM-23ARTEB	yes	yes	yes	1520	6 Units

## Compressors and condensers rack up to 4 stages

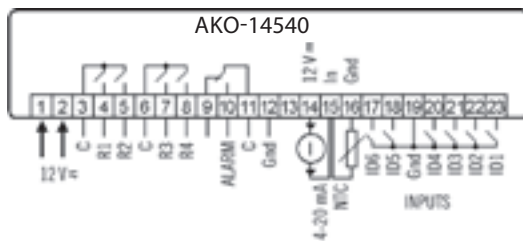


### Operating modes, proportional band and neutral zone

4 stage controller for compressors or condensers. Compressor rotation by operating hours. Probe reading configurable by pressure or temperature probe. 5 relay outputs: 4 control outputs and 1 alarm output. Also with 6 digital inputs, 4 for the compressor protection thermal switches, 1 for high pressure switch and 1 for low pressure switch..

**Application:** Cold installations

- Power supply 12 V~ ±20%, 50/60 Hz
- Relays R1, R2, R3 y R14 SPST 6 A: AC1=5, AC3=4
- Alarm relay SPDT 8 A: AC1=8, AC3=4
- Panel cut-out dimensions 70,5 x 28,5 mm
- Front part dimensions 75,8 x 33,8 mm
- Depth 61 mm
- 3 digit display
- Accuracy (4-20 mA) ±1%
- Accuracy (NTC) ±1%
- Resolution (4-20 mA) 0,01
- Resolution (NTC) 0,1 °C
- Scale with input 4-20 mA -99,9 a + 99,9
- Temperature range (NTC) -50 °C a + 105 °C
- NTC probe or 4-20 mA



Reference	Description	Family	Pack
AKO-14540	Compressor and condensers station 4 stages, 12 V	1560	1 Unit
AKO-15590	Transformer 120-230 V/12 V rack	1590	12 Units

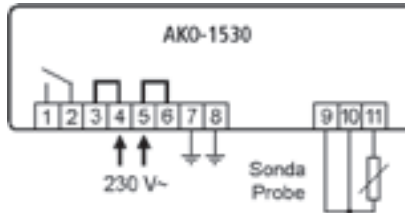
## Temperature controllers Range from -50 °C to +350 °C, 1 relay in IP65 box



### Suitable for outdoors

It is designed to regulate the temperature of pipes, tanks, valves, processing equipment, etc. that require local control and are installed outdoors or in aggressive atmospheres, either due to dirt, humidity, corrosion, etc.

**Application:** Industrial installations, agricultural, etc.



- Temperature range -50 °C to +350 °C
- 3 digit display (°C/°F)
- Resolution 0,1 °C
- Accuracy ±0,5 °C
- Pt100 probe
- Box dimensions 120 x 160 x 66 mm
- Work temperature -30 °C to +60 °C
- Protection IP65
- Control relay SPST 20 A: AC1=20, AC3=12
- Power supply 230 V~ ±10%, 50/60 Hz

Reference	Description	Family	Pack
AKO-1530	Thermostat up to 350 °C, relay 20 A SPST, without probe	1530	5 Units
AKO-717425	Thermostat to pipe fixing support	2190	1 Unit
AKO-15595	Probe Pt-100, from -50 to 200 °C, 1,5 m of cable with braid	1590	5 Units

## Temperature controllers Energy controller

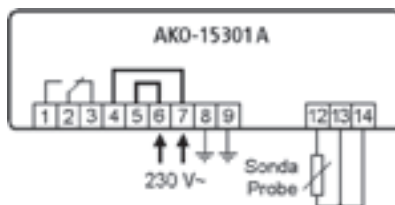


### Energy saving.

A controller designed to adjust the energy contribution from heating cables or other heat sources, in applications in which it must vary in line with the ambient temperature.

Its use is particularly suitable in system where, once designed and applied, the only variable that influences in the system is the ambient temperature.

**Application:** Electric traces, avoid freezing on ramps, terraces, etc.



- Temperature range -40 °C to +200 °C
- Visualizador 3 dígitos (°C/°F)
- Resolución 0,1 °C
- Precisión ±0,5 °C
- Sonda tipo Pt100
- Box dimensions 120 x 160 x 66 mm
- Protection IP65
- Control relay SPST 10 A: AC1=10, AC3=6
- Power supply 230 V~ ±10%, 50/60 Hz

Reference	Description	Family	Pack
AKO-15301A	Energy regulator ambient temperature function, 10 A relay	1530	1 Unit
AKO-15599	Pt-100 probe for ambient temperature	1590	1 Unit

## Mechanic Thermostat EEx ed IIC T5



**This thermostat is approved for use in Zone 1 and 2 classified area's.**

It is designed for use and adjustable control thermostats for freeze protection and temperature maintenance applications requiring pipewall or tankwall sensing. Each thermostat is available in four temperature control and bulb exposure temperatures ranges.

**Application:** Electrical Tracing

- Temperature range 0 °C to +200 °C
- Maximum pipe exposure temperature 230 °C
- Operating ambient temp. -45 °C to +55 °C
- Differential 5 °C
- Switch rating 16 A
- Junction box with M25
- Enclosure rating IP66
- Bulb and capillary stainless steel

Referencia	Descripción	Family	Pack
AKO-71658	Electric heat tracing control EEx ed 0 to 200 °C, pipe, for 7126x y 71219	1530	1 Unit
AKO-71659	Electric heat tracing control EEx ed 0 to 200 °C, wall, for 7126x y 71219	1530	1 Unit
AKO-71660	Electric heat tracing control EEx ed 0 to 200 °C, pipe, for 7121x, 7124x, 7125x	1530	1 Unit
AKO-71661	Electric heat tracing control EEx ed 0 to 200 °C, wall, for 7121x, 7124x, 7125x	1530	1 Unit

## Temperature controllers Ice and snow centre

**Guaranteeing energy savings of 80% with respect to control by means of thermostats.**

This ice control centre is used in automatic heating installations for open spaces. With this system, the heating comes on only if there is a chance of freezing, for example, snow, ice or sleet and automatically turns off after thawing.

**Application:** To avoid ice on ramps, terraces, roofs, guttering, etc.



- Measurement of temperature, humidity, ice and snow
- Floor temperature range -40 °C to +70 °C
- Programme after heat from 10 min to 120 min
- Consumption meter in hours

Reference	Description	Family	Pack
AKO-80015	Ice and snow centre	1590	1 Unit
AKO-80016	Temp. and humidity probe for ramps, streets, pavements and terraces	1590	1 Unit
AKO-80020	Ice and snow probe for ramps, streets, pavements and terraces	1590	1 Unit
AKO-80030	Ice and snow ramp for roofs and guttering	1590	1 Unit
AKO-80031	Ice and snow ramp for roofs and guttering	1590	1 Unit



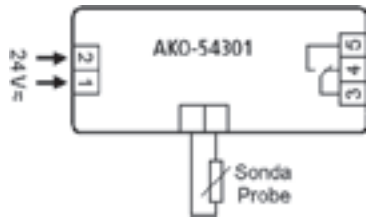
## Temperature controllers Thermostats for lifts



### DIN rail mounting

They are used to comply with the directive 95/16/EC in lift machinery rooms. Minimum alarm level adjusted to +5 °C and maximum alarm to +40 °C. 3 indication leds: Maximum, minimum alarm and temperature OK. Includes an NTC probe with 1,5 m of cable.

**Application:** Lifts



- Relay connected between 5 °C and 40 °C
- Accuracy  $\pm 5$  °C
- NTC probe
- Box dimension 18 x 90 x 58 mm (1 module DIN)
- Depth 61 mm
- Relay SPDT 8 A, 24 V,  $\cos\phi=1$
- Power supply 24 V~  $\pm 20\%$  50/60 Hz

Reference	Description	Family	Pack
AKO-54301	24 V~, DIN rail mounting, temp. fixed. min. 5 °C max. 40 °C	1530	12 Units

## Probes and accessories Accesories



AKO-14910



AKO-15586



AKO-155908

AKO-80004A

Reference	Description	Family	Pack
AKO-14910	Transparent lid for front protection	1590	120 Units (B)
AKO-15586	Metre of cable for extending probes, 3 x 0,5 mm <sup>2</sup> shielded	1590	100 m(A)
AKO-155908	Stainless steel sheath, 1/2" Gas thread	1590	10 Units
AKO-80004A	Converter from Pt-100 to 4-20 mA	1590	1 Unit

(A) The meters of packaged material are the standard ones; however, we reserve the right to supply in different lengths those indicated.  
 (B) Minimum, indivisible pack units.

## Probes and accessories Temperature probes

Reference	Description	Familia	Pack
AKO-14901	NTC probe, from -50 to 100 °C, 1,5 m of cable	1590	48 Units
AKO-14902	NTC probe, from -50 to 100 °C, 2,0 m of cable	1590	48 Units
AKO-14903	NTC probe, from -50 to 100 °C, 3,0 m of cable	1590	48 Units
AKO-14906	NTC probe, from -50 to 100 °C, 6,0 m of cable	1590	24 Units
AKO-14915	NTC probe, from -50 to 100 °C, stainless steel connector, 3,0 m of cable	1590	1 Units
AKO-15561	NTC probe, from -50 to 100 °C, IP68 protection, AISI 304. 1,5 m of cable	1590	10 Units
AKO-155801	PTC probe, from -50 to 150 °C, 1,5 m of cable	1590	10 Units
AKO-155802	PTC probe, from -50 to 150 °C, 2,0 m of cable	1590	10 Units
AKO-155803	PTC probe, from -50 to 150 °C, 3,0 m of cable	1590	10 Units
AKO-155807	PTC probe, from -50 to 150 °C, 7,0 m of cable	1590	10 Units
AKO-155815	PTC probe, from -50 to 150 °C, 15,0 m of cable	1590	5 Units
AKO-155830	PTC probe, from -50 to 150 °C, 30,0 m of cable	1590	1 Unit
AKO-15582	Pt-100 probe, from -50 to 180 °C, 2,0 m of cable with braid	1590	1 Unit
AKO-15584	Pt-100 probe, from -50 to 180 °C, 10,0 m of cable without braid	1590	1 Unit
AKO-15585A	Pt-100 probe, from -40 to 180 °C, 2,0 m of cable without braid	1590	1 Unit
AKO-15595	Pt-100 probe, from -50 to 200 °C, 1,5 m of cable with braid	1590	5 Units
AKO-15587	Pt-100 probe, from -60 to 350 °C, 2,0 m of cable with braid	1590	1 Unit
AKO-15597	Pt-100 probe, from -70 to 200 °C, 2,0 m of teflon cable	1590	1 Unit
AKO-15598	Pt-100 probe, from -200 to 600 °C, 1,5 m of MI cable	1590	1 Unit
AKO-15599	Pt-100 probe for environment temperature	1590	1 Unit
AKO-80008	Pt-100 probe EExd IIT6, IP65 box, to drums	1590	1 Unit
AKO-80019	Pt-100 probe EExd IIT6, for Ex zone and pipes	1590	1 Unit
AKO-15601	J probe, de 0 a 600 °C, 3,0 m of cable	1590	1 Unit
AKO-15602	K probe, de 0 a 1.000 °C, 3,0 m of cable	1590	1 Unit
AKO-15586	Metre of cable for extending probes, 3 x 0,5 mm2 shielded	1590	100 m (A)

(A) The meters of packaged material are the standard ones; however, we reserve the right to supply in different lengths those indicated.

## Parameter servers



### Tools for copying parameters

The programmers are particularly recommended for manufacturers that must adjust the equipment with just one configuration. The portable servers allow the installer to rapidly load a pre-programmed configuration into the equipment, without having to enter the programming routine.

Reference	Description	Family	Pack
AKO-14916	Programmer for AKO-14412, AKO-14423	1580	6 Units
AKO-14917*	CMOS / RS485 converter module	1580	6 Units
AKO-14918*	Portable server for AKO-14xxx	1580	10 Units
AKO-14920	Portable server for AKO-14012 a AKO-14123, AKO-14129	1580	1 Unit
AKO-14922	Portable server for AKO-10123 a AKO-10323	1580	1 Unit
AKO-80018	Power supply 230/12 V for programmers	1580	1 Unit
AKO-D14918	Portable server for Darwin	1580	10 Units

\*Portable server incompatible with AKOCONTROL DARWIN

# Probes and accessories Quick Table

## NTC temperature probes

Reference	Description	Temperature range
(A) AKO-14901	TPE cable 1.5 meter long 15x Ø mm long cable	range -50 °C to 105 °C
(A) AKO-14902	TPE cable 2 meter long 15x Ø mm, long cable	range -50 °C to 105 °C
(A) AKO-14903	TPE cable 3 meter long 15x Ø mm, 6 mm bulb	range -50 °C to 105 °C
(A) AKO-14906	TPE 6 meter long cable 15xØ mm, 6 mm bulb	range -50 °C to 105 °C
(B) AKO-15561	special evaporator and IP68 submersible stainless steel bulb 6mm	range -50 °C to 105 °C
(C) AKO-14915	click special probe, silicone cable 3 meter AISI 304 stainless steel bulb 100xØ3mm	range -50 °C to 110 °C



## PTC temperature probes

Reference	Description	Temperature range
AKO-155801	silicone cable 1.5 meter long tainless steel bulb 6 mm 40x Ø mm	range -50 °C to 105 °C
AKO-155802	silicone cable 2 meter long stainless steel bulb 6 mm 40x Ø mm	range -50 °C to 150 °C
AKO-155803	silicone cable 3 meter long stainless steel bulb 6 mm 40x Ø mm	range -50 °C to 150 °C
AKO-155807	silicone cable 7 meter long stainless steel bulb 6 mm 40x Ø mm	range -50 °C to 150 °C
AKO-155815	silicone cable 15 meter long stainless steel bulb 6 mm 40x Ø mm	range -50 °C to 150 °C
AKO-155830	silicone cable 30 meter long tainless steel bulb 6 mm 40x Ø mm	range -50 °C to 150 °C



## Pt100 temperature probes

Reference	Description	Temperature range
(A) AKO-15585A	cable 2 meter long silicone AISI 316 stainless steel bulb 100 Ø mm	range -40 °C to 180 °C
AKO-15587	cable 2 meter long fiberglass AISI 316 stainless steel bulb 100 Ø mm	range -60 °C to 350 °C
(B) AKO-15596	cable 1.6 meter long silicone AISI 316 stain. steel bulb in angle Ø6 mm	range -200 °C to 200 °C
(C) AKO-15597	cable 2 meter long teflon AISI 316 stainless steel bulb 100 Ø mm	range -100 °C to 200 °C



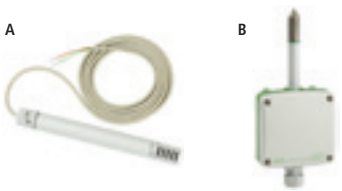
## Type Thermocouple temperature probes

Reference	Description	Temperature range
AKO-15601	J-type thermocouple, fiberglass 3 meters AISI 316 stainless steel bulb 100 Ø 3mm	range -0 °C to 100 °C
AKO-15602	K-type thermocouple, fiberglass 3 meters stainless steel bulb 4.5mm 150 x Ø	range -0 °C to 600 °C



## 4-20 humidity probes

Reference	Description	Temperature range
(A) AKO-80040	Tubular humidity probe Stainless Steel Filter. 10% to 95%	range -10 °C to 70 °C
(B) AKO-80013	HVAC applications dryers Stainless Steel Filter. 10% to 95% RH	range -5 °C to 50 °C



## Accessories for controllers

Reference	Description	Temperature range
(A) AKO-1490	Transparent cover for front protection equipment Panel Fixing (Minimum order 120 units)	
(B) AKO-15586	Shielded cable 30x30 5 m2, for extension of probes NTC, PTC and PT100 (price per meter)	
(C) AKO-15908	Thread 1/2 " GAS. Diameter 8 mm, length 140 mm AISI 304 stainless steel sheath	



## Transformers and Power

Reference	Description	Temperature range
(C) AKO-80014A	Power supply 115-230 V/ 24 V, 1A Probe power AKO-80013 and AKO-80014 A	
(A) AKO-15589	Power converter 14 to 30 V /125 V, 5 VA. DIN rail mounting This device is used when you want to power a 24 V thermostat Power up to 10 probes	
(B) AKO-15590	Transformer 120-230 V /12 V, maximum consumption 3 VA	

